

42" CLASS (42.0" DIAGONAL)

M4224C-BA

LCD
MONITOR

LCD Widescreen Full HD Capable Monitor



NATIVE DISPLAY RESOLUTION
1920 x 1080 (WUXGA) Full 1080p resolution

IMPROVED! ULTRA THIN NARROW BEZEL
16.9mm (0.67")



BACKLIGHT CONTROL

NEW! LAN CONTROL

CONVENIENT EXTERNAL SPEAKER-OUT
INFORMATION DISPLAY FOR SERIAL NUMBER

VIEWING ANGLE and LIFE EXPECTANCY
Enhanced in Portrait Mode

SPLIT ZOOM (self video wall)
Up to 5 x 5 matrix - adjusts for bezel width

IMPROVED! HIGH BRIGHTNESS
700 cd/m²

CONTRAST RATIO
3000:1 (DCR)

HDMI™/DVI WITH HDCP

SUPER IPS
178° Viewing Angle

OSD and REMOTE CONTROL LOCK

RS-232C CONTROL

OPTIONAL HIDDEN SPEAKERS



RoHS COMPLIANT

3-YEAR LIMITED WARRANTY
parts/labor

NOTE: IP-Cast™ ready via interface box using LG's IP card solution for Digital Signage applications. Contact digital signage@lge.com for more information.

www.LGcommercial.com



LG

Life's Good

SPLIT ZOOM (SELF VIDEO WALL)

VIDEO WALL CONTROL

The content for each monitor can be easily controlled by selecting the video source per unit.



5 x 5 Matrix (Max)

FEATURES

HIGH BRIGHTNESS, CLEAR CONTRAST RATIO (700 nits, 10,000:1)

The M4224C sets a new standard in video performance with a brightness of 700 cd/m² and a high contrast ratio of 10,000:1 which surpasses standard monitors.

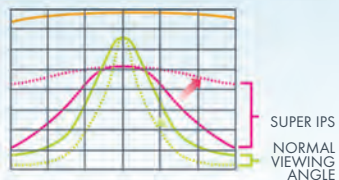
VIEWING ANGLE AND LIFE EXPECTANCY ENHANCED IN PORTRAIT MODE

- 178° (H)/178° (V) viewing angles
- Panel life 50,000 hours (approx.) to half brightness

FLY #	ARRIVALS	GATE	TIME
824	BOSTON	G4	7:32
713	BOSTON	G4	8:32
329	BOSTON	G4	8:32
916	CHICAGO/ORD	B1	7:36
456	CHICAGO/ORD	B1	8:37
888	CHICAGO/ORD	B1	9:36
798	CHICAGO/ORD	B1	10:30
165	CHICAGO/MW	D3	12:01
143	DALLAS	B3	7:36
132	DALLAS	B3	8:45
807	DALLAS	B3	10:06
854	DES MOINES	C6	7:33
321	LOS ANGELES	A3	7:35
136	LOS ANGELES	A3	8:45
185	LOS ANGELES	A3	9:35
199	LOS ANGELES	A3	11:28
197	MILWAUKEE	D1	7:39
324	MILWAUKEE	D1	8:40
366	MILWAUKEE	D1	9:40
605	MNPLS/ST. PAUL	D3	7:40
566	MNPLS/ST. PAUL	D3	8:50
788	MNPLS/ST. PAUL	D3	9:30
985	MNPLS/ST. PAUL	D3	10:25
106	MNPLS/ST. PAUL	D3	12:05
102	NEW YORK/JFK	B2	7:33
180	NEW YORK/JFK	B2	8:45
173	NEW YORK/JFK	B2	9:45
193	NEW YORK/JFK	B2	10:25
164	ORLANDO	E4	7:45
304	ORLANDO	E4	8:50
965	ORLANDO	E4	9:40
933	ORLANDO	E4	10:30
339	PORTLAND	A2	7:42

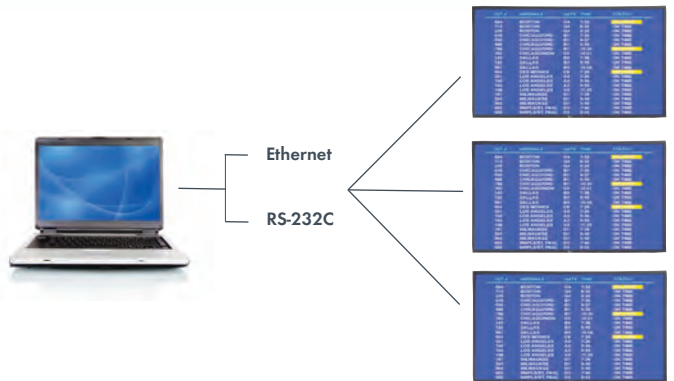
SUPER IPS

Technology that delivers ultra-wide viewing angles. Ideal for situations where screens are positioned at different angles.



REMOTE CONTROL USING LAN OR RS-232C

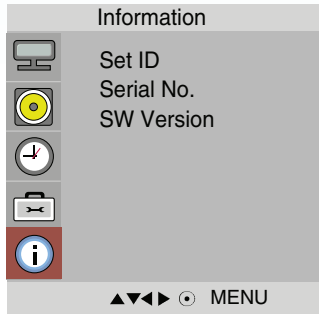
- RJ45 and RS-232C jacks provide the communication interface between the set and external equipment.
- With LAN or RS-232C, functions can be executed at a distance with ease by using a remote control to manage the power on/off, color calibration, aspect ratio, etc...
- LAN control provides a convenient way to manage multiple monitors from a single control center.



MENU CONVENIENCES

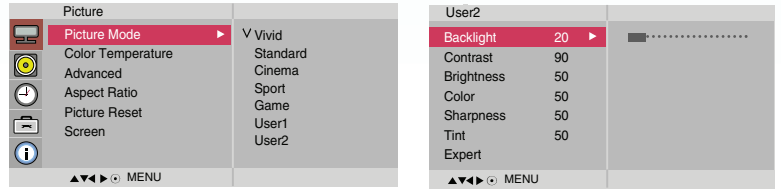
DISPLAY INFORMATION

Adjust Set ID and check Serial Number and Software Version.



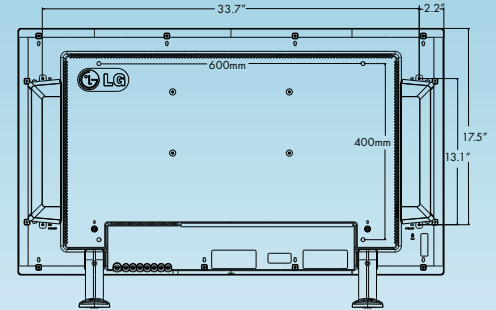
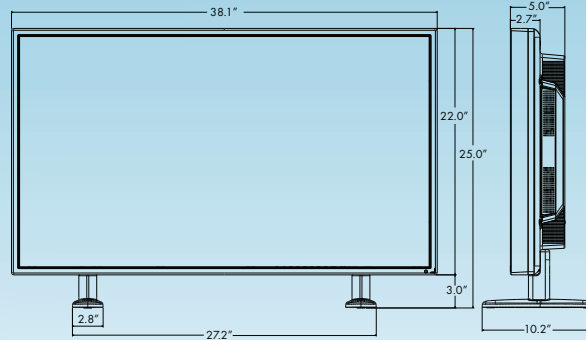
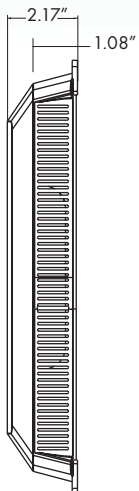
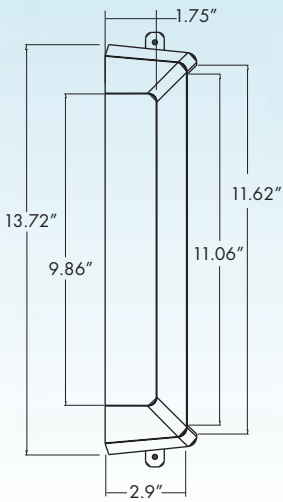
BACKLIGHT CONTROL

Controls the brightness of the screen by adjusting the LCD panel brightness. The result would be an increase in energy savings if brightness is reduced.



DIMENSIONS

HIDDEN SPEAKERS SP0000K (optional)

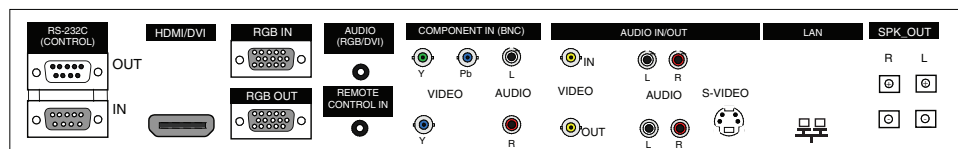


HIDDEN SPEAKERS SP0000K (optional)
 Dimensions (WxHxD) 2.9" x 13.7" x 2.2" each
 Weight 1.7 lbs (0.85 lbs x 2)
 10 Watts



Stand ST0000K (optional)
 Dimensions (WxHxD) 2.6" x 10.1" x 7.3"
 Weight 2.8 lbs (1.4 lbs x 2)

REAR JACK PANEL



SPECIFICATIONS

PANEL

LCD Panel Type	42"
Display Area	42.0" diagonal
Aspect Ratio	16 : 9
Native Resolution	1920 x 1080 (WUXGA)
Pixels (H x V x 3)	6,220,800
Brightness	700 cd/m2
Contrast Ratio	3,000:1 (DCR)
Viewing Angle (H x V)	178° x 178°
Super IPS	Yes
Color Depth	10.6 Billion
Response Time	9 ms (G to G)
Surface Treatment	Hard Coating (3H) Anti-glare
MTBF	50,000 Hr. (Minimum) Portrait & Landscape

VIDEO

Max Input Resolution	1920 x 1080 @ 60Hz (RGB, HDMI/DVI)
Recommended Resolution	1920 x 1080 @ 60Hz (RGB, HDMI/DVI)
H-Scanning Frequency	30 ~ 83kHz (RGB, HDMI/DVI)
V-Scanning Frequency	56 ~ 75 Hz (RGB), 60 Hz (HDMI/DVI)
Pixel Frequency	148.5 MHz (RGB, HDMI/DVI)
Sync Compatibility	Separate / Composite / Digital
Video Input	RGB, HDMI/DVI
Picture mode	Vivid/Standard/Cinema/Sports/Game/ User1 /User2
Color temperature	Warm/Medium/Cool/User

REAR INPUTS/OUTPUTS

Component Video	1 Hi-Res (BNC)
PC Input via 15-Pin Sub "D"	1 in / 1 out
Composite Video Input/Output	1 (BNC) / 1 (BNC)
Audio Output	1
Audio Inputs	2 Plus PC Sound
HDTV Formats	Component : 720p/1080i/1080p HDMI : 720p/1080i/1080p
PC Formats	Auto Scaling to WUXGA
HDMI/DVI with HDCP	Yes
RJ45	Yes
RS-232C Input/Output	1 / 1
S-Video	1 (S-Video has a priority but there is no input mode)
Audio Jack Built-in (No Amp)	Yes
Discrete IR Input	Yes
External_Speaker Out	Yes

AUDIO

Auto Volume	Yes
Balance	Yes
Audio Power	20W (10W x 2)
Speaker On/off	Yes
Sound mode	Clear Voice/Standard/Music/Cinema/ Sports/Game/User

POWER

Power Supply	100-240V~, 50/60Hz
Power Type	Built-in Power
Power Switch Type	Tact Switch
Power Saving	
Normal	200 W
Stand-by/Suspend	2W (RGB)/4W (HDMI/DVI)
DPM Off	2W (RGB)/4W (HDMI/DVI)
Switch Off	1W

SPECIAL FEATURES

Backlight Control	Yes
Temperature Sensor	Yes
Split Zoom (Self Video Wall, Max 5 x 5)	Yes, supports natural mode
Source Selection	Digital (HDMI/DVI)/Analog (RGB)/ Component/AV
Brightness/Contrast	Yes
Color	Warm/Medium/Cool User Control (R/G/B)
Position	H / V
Tracking	Auto/Clock/Phase
Set-up	Language(English/French/Spanish/ Italian/German/Portugues/ Korean/Japanese/Chinese/Russian)
ISM Method	Normal/White wash/Orbiter/ Inversion/Dot wash
Advanced	Gamma/Film mode/Black level/ Noise Reduction
Time	Clock/On/off timer/Auto sleep/ Power on Delay
Information display	Serial Number, SET ID, MNT S/W Version, LAN S/W Version
Mute	Yes
Sleep Timer	Yes
Auto Power/Source Memory	Yes
Key Lock	Yes
DPM Select	Yes

CABINET

Monitor Dimensions (W×H×D)	38.1" x 22.0" x 5.0"
Monitor Weight (W×H×D)	41.2 lbs
Monitor Dimensions w/opt. stand (W×H×D)	38.1" x 25.0" x 10.2"
Weight w/opt. stand	44.1 lbs
Monitor w/opt. stand and opt. speakers (W×H×D)	38.1" x 25.0" x 10.2"
Weight w/opt. stand and opt. speakers	45.8 lbs
Packaging (W×H×D)	38.1" x 22.1" x 4.9"
Weight with Packaging	48.0 lbs
Color	Black/Silver
VESA™ Standard Mount Interface	600mm x 400mm

STANDARD (CERTIFICATION)

Safety	UL/c-UL/CB scheme/TUV/NEMKO
EMC	FCC Class "B"/VCCI/C-tick/CE/MIC
RoHS Compliant	Yes
UPC	7 19192 18545 6

SERVICE/LIMITED WARRANTY

Limited Warranty (Parts/Labor)	3 Years
--------------------------------	---------

OPTIONAL ACCESSORIES

SPO000K (speakers)	fits M4224C-BA
Dimensions (W x H x D) (each)	2.9" x 13.7" x 2.2"
Weight (2 speakers)	1.7 lbs
Packaging Dimensions (W x H x D)	15.1" x 5.3" x 6.9"
Packed Weight	2.36 lbs (2 Speakers/1 Package)
STO000K (stand)	fits M4224C-BA
Dimensions (W x H x D)	2.6" x 10.1" x 7.3"
Weight	2.8 lbs
Packaging Dimensions (W x H x D)	12.4" x 2.8" x 11.0"
Shipping Weight	3.64 lbs.

www.LGcommercial.com

LG Electronics U.S.A., Inc.
Commercial Products Division
2000 Millbrook Drive
Lincolnshire, IL 60069

Customer Service: 888.865.3026

Contact your LG Regional Sales Representative:
Enterprise: 800.897.8788
Channel: 800.897.8871
Hospitality: 800.228.1236
E-mail: LGcommercial@lge.com

SPEC_M4224CBA_010911_PR



All screen images are simulated. Dimensions and weights are approximate. Design, features and specifications subject to change without notice.

© Copyright 2009 LG Electronics USA, Inc. All Rights Reserved. "LG Life's Good" is a registered trademark of LG Corp. In Plane Switching is a trademark of LG Philips LCD Ltd. VESA is a trademark of Video Electronics Standards Association. HDMI, the HDMI Logo and High-Definition Multimedia Interface are trademarks or registered trademarks of HDMI Licensing LLC.

All other product and brand names are trademarks or registered trademarks of their respective companies.

Printed in the USA. February 2009



LG
Life's Good