

Package Contents



Quick Setup Guide



Warranty Card
(Not available in all locations)



User's Guide



D-sub Cable



DVI Cable



Power Cord



Stereo Cable



LAN Cable



Cleaning Cloth



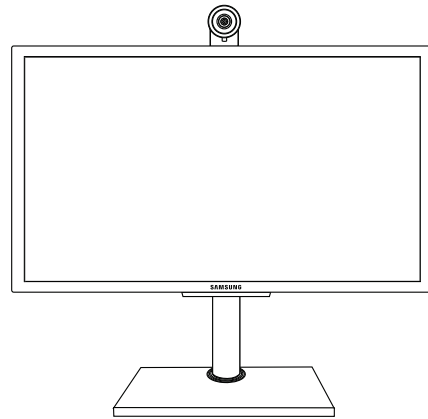
Remote Control



Batteries (AAA X 2)
(Not available in all locations)



Ferrite Core for LAN cable



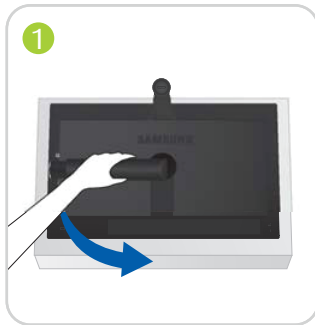
Unpack the product and check if all of the following contents have been included. Store the packaging box in case you need to move the product at a later stage.

A 30-second stand-by time is required after turning the product on.

Installing the stand

Before attaching the stand, place a soft cloth on a flat, stable surface, and then place the product onto the cloth so that the screen is facing downwards.

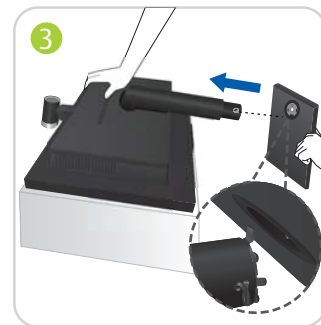
- Caution:
1. When placing the product on a flat surface, you can damage the projection on the camera.
 2. To prevent damage, place the monitor down gently & carefully.
 3. Do not remove the stopper pin before installing the base.



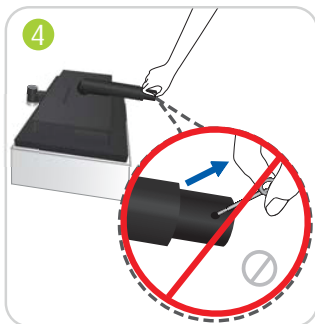
Turn the stand in the direction indicated by the arrow.



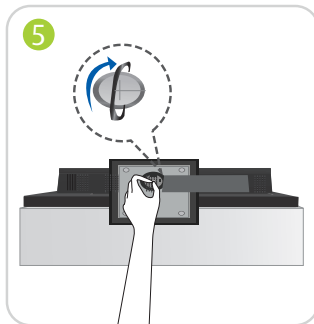
Make sure that the stand has been properly turned in the right direction.



Push the base into the product's stand in the direction indicated by the arrow.



Caution: Do not remove the stopper pin before completely installing the stand's base. Otherwise it may cause physical injury.



Turn the connecting screw at the bottom of the stand fully so that it is completely secured.



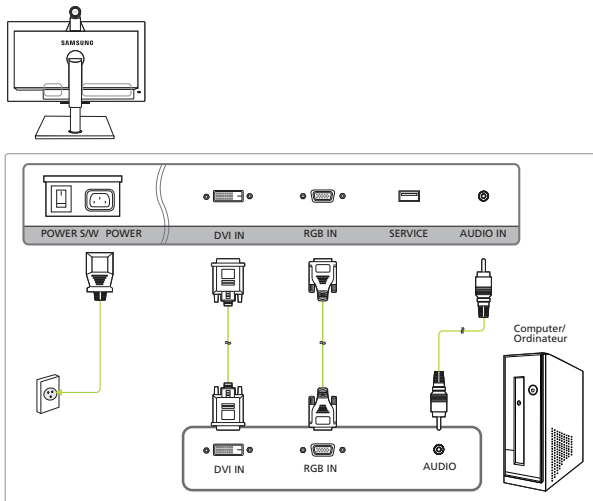
After installation of the base is complete, stand the product up.

- Remove the stopper pin.
- Adjust the height of the screen to your specifications.

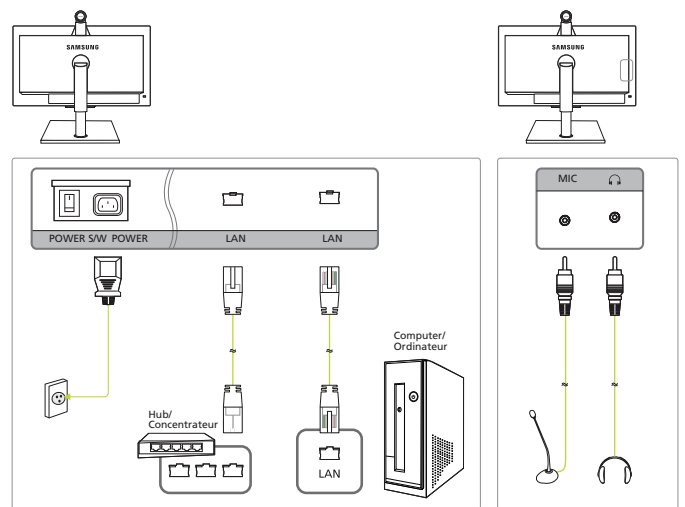


Rear - Connecting Cables

1 Connecting with a PC



2 Connecting to the video conference monitor



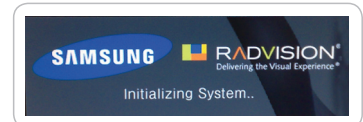
- Connect it only when needed, since this product has an internal speaker.
- Connect it only when needed, since this product has an internal microphone.
- Note that MIC can only be used for a video call.
- Ensure that only one of the two [LAN] ports is connected to the network using a LAN cable.

System Configuration

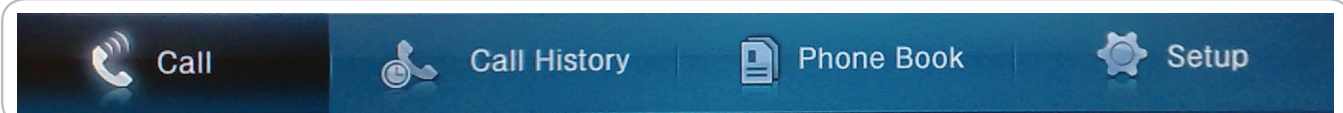
1 Getting Started

Turn on the VC240 using the Power S/W. A power up message with Samsung and RADVISION logos appears on the screen until completion of the initialization phase. Using the VC240 remote control press the Menu/OK button to enter the Menu.

Initialization Message



Main Menu



2 Set up the Language

Select the Setup option on the Menu. Select General - Language then select language from list



3 LAN Configuration

Select Network - IP Settings to set your IP. Select Network - Network Preference to set up H.323 or SIP as preferred network.

