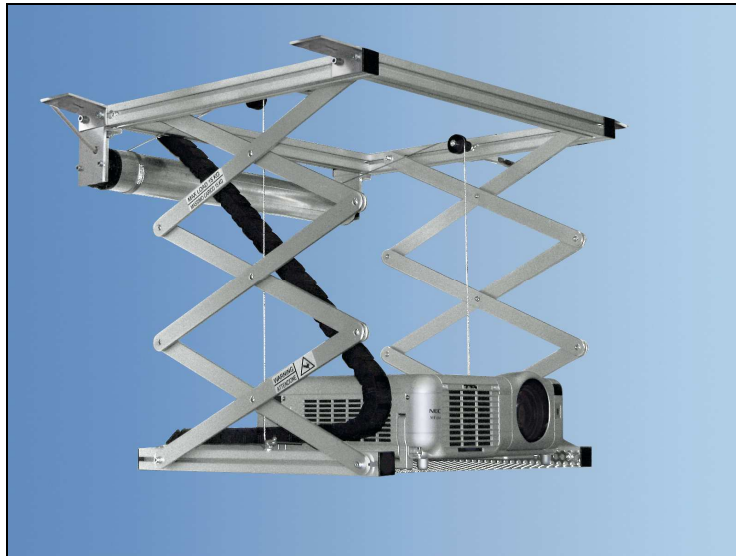


PROJECTOR LIFT SI-100



PROJECTOR LIFT PARTLY OPEN

The projector lift SI-100 is a versatile and innovative product that enables the installation of the projectors in environments where particular aesthetical solutions are needed.

The product has been developed to be installed inside false ceilings in order to hide projector, lift and cable, thus granting the best aesthetic and practical solution.

The SI-100 is supplied with an extremely SILENT Somfy® motor that allows a descent from a minimum of 16 cm. to a maximum of 96 cm.



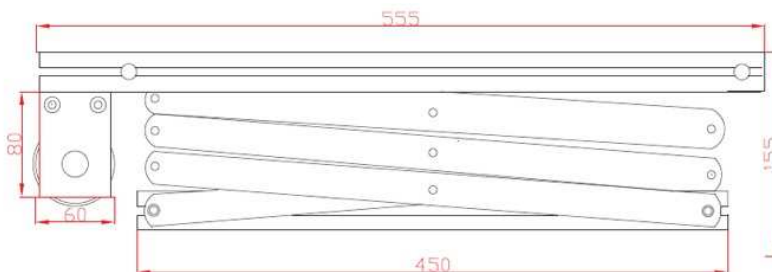
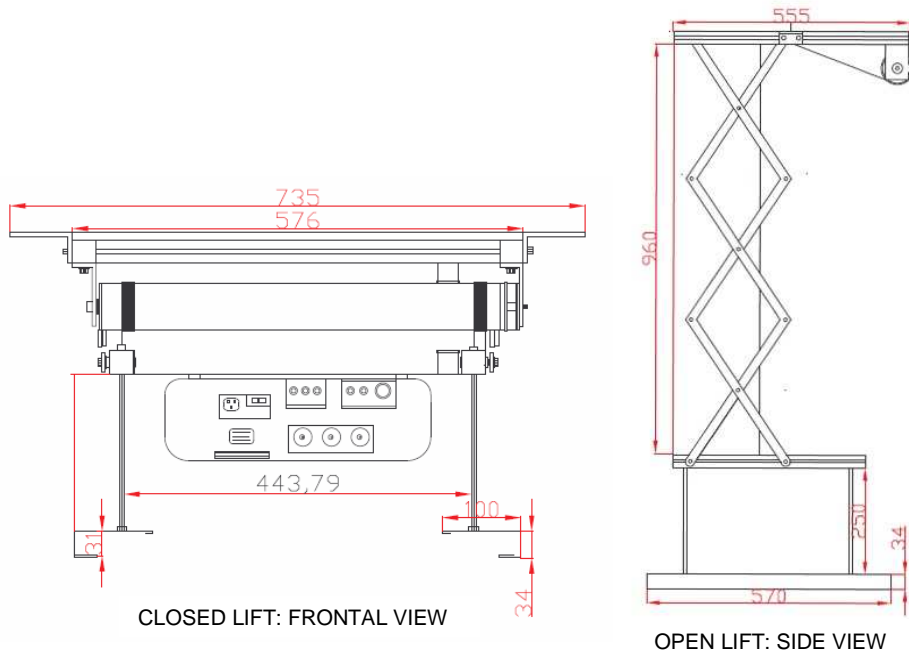
FALSE CEILING FIXING SYSTEM

Moreover, the SI-100 is supplied with a particular system that allows an easy fixing of a panel of your false ceiling by the threaded bars whose height adjustable.

One more interesting element of this lift is a CABLES GATHERING SYSTEM with a raceway where to put the cables of the projector, so they will be hidden and tidy gathered together when the projector lift is going up.

TECHNICAL DATAS

POWER SUPPLY	220-230 V 50 HZ
MAXIMUM CONSUMPTION	90 W
TORQUE	8 NM
MOTOR SPEED	12 RPM
DIMENSIONS LIFT CLOSED	576x155x550 (WxHxD in mm.)
DIMENSIONS LIFT OPENED	576x1023x550 (WxHxD in mm.)
DIMENSIONS LIFT OPENED including fixing system for the panel of the false ceiling	576x1156x550 (WxHxD in mm.)
GRILLE DIMENSIONS	415x450 (WxD in mm.)
MAXIMUM CAPACITY	15 KG.



CLOSED LIFT: SIDE VIEW

*The measures indicated in the drawing are expressed in

millimetres.

Euroscreen S.r.l. has reserved the right to modify the technical characteristics of its products, without obligation of notice and in every time, in order to further improve their performance.

EUROSCREEN S.R.L.

Via Stiria, 45/16— 33100 UDINE - Tel. +39 0432 522755 Fax +39 0432 524000

Website: www.screenint.com - E-mail: info@screenint.com