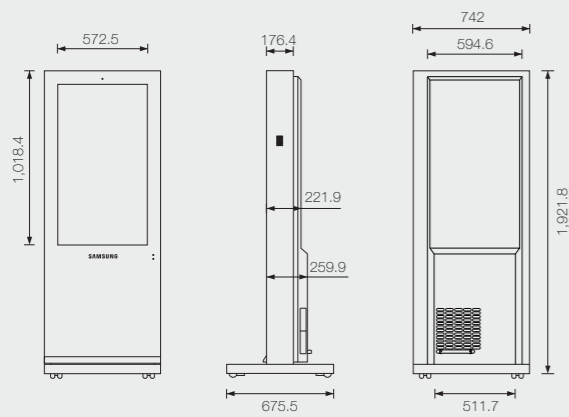


Dimensions (Unit: mm)



Specifications

460DRn-A	
Panel	
Diagonal Size	46"
Type	S-PVA (DID)
Resolution	1366 x 768
Pixel Pitch	0.7455 (H) x 0.7455 (V)
Brightness (Typ.)	1500 cd/m ²
Contrast Ratio	3500:1
Viewing Angle (H/V)	178/178
Response Time (G-to-G)	8ms
Connectivity	
PC Inputs	VGA/DVI (Support SOG)
Video Inputs	CVBS/HDMI
Power	
Power Consumption (Max)	1KW
Power Consumption at Stand-by (Max)	50W
Operation	
Operating Temperature	-30°C ~ 45°C
Humidity	10 ~ 90%
Special Feature	
Special Features	All Weather Proof Enclosure Built-in Air Conditioner Integrated Stereo Speakers Anti Vandalism Function (Protection Glass, Shock Sensor, Camera) Wired Capacitive Type Touchscreen (Optional) Fully Integrated PC
Built-in PC	
Operating System	Window XP Embedded
CPU	Dual-Core CPU
Storage	40GB HDD
Memory	1GB DDR2
Network	Ethernet, WiFi, Bluetooth
USB	3 USB

SAMSUNG

Raising the standard
in outdoor display solutions



Samsung Electronics Co., Ltd.
Head Office (Suwon, Korea) 416, Maetan-3 Dong, Yeongtong-Gu,
Suwon City, Gyunggi-Do, 443-742, Korea

SAMSUNG

SAMSUNG SyncMaster™

460DRn-A

Samsung LFD (Large Format Display) Monitor

WHAT MAKES THE 460DRn-A THE RIGHT SOLUTION FOR YOU?

Choosing the right outdoor display solution can be difficult decisions. There are many factors to take into considerations so it requires a trusted partner like Samsung help guide the way. A partner who understands the harshness and unpredictability of the elements. And someone who understands the value of an investment.

Introducing the Samsung 460DRn-A. This outdoor LFD solution is designed specifically to meet your outdoor needs. The 460DRn-A is built with an ultra-bright display panel so it can be seen even under direct sunlight. It's also extremely reliable and is equipped to handle various weather conditions such rain, heat and cold. The 460DRn-A is also designed to protect itself against dust, insects and even vandalism.

YOUR BEST DEFENSE AGAINST SUNLIGHT RADIATION

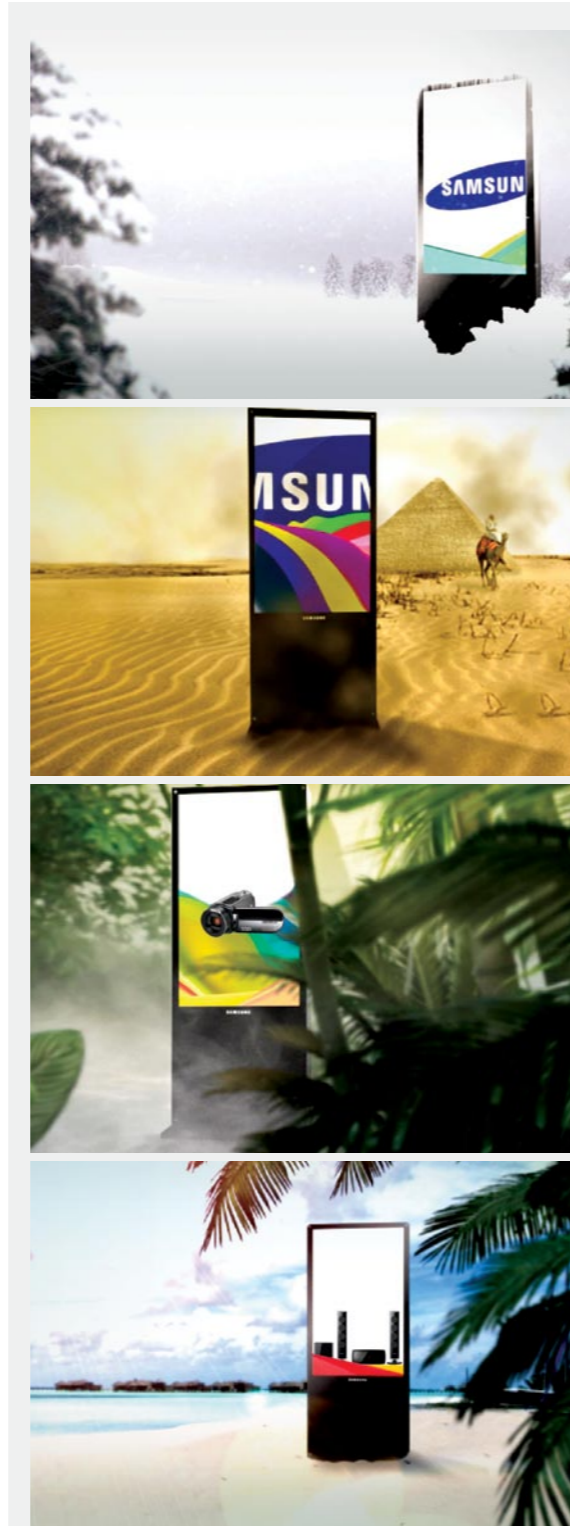
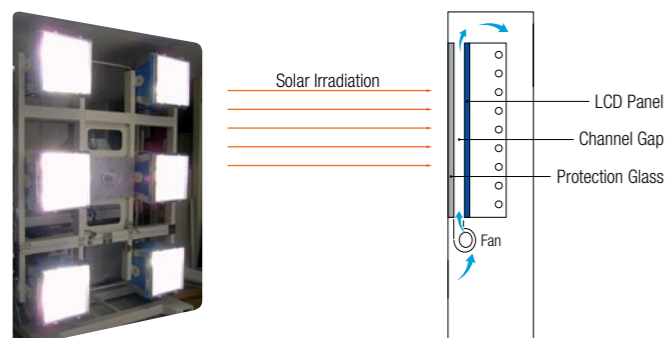
One of the main causes of damage to outdoor displays isn't vandalism, it's sunlight radiation. So when a display is exposed to the direct sunlight over a long period of time, the heat can cause irreparable damage. To combat this, Samsung has applied the Solar Simulator System to help develop solutions for sunlight radiation before going out into the field.

• The Samsung Solar Simulator System

The Samsung Solar Simulator allows Samsung to recreate real-life sunlight situations within a controlled environment. This will enable Samsung to identify the problem areas and develop the solutions to best address the various outdoor lighting situations.

• Designed for optimal outdoor use

Controlling the temperature of the display is key to its longevity. The Samsung 460DRn-A is built with a number of sensors to detect drastic changes in temperature within the display. The 460DRn-A is also equipped with a unique cooling solution that maintains the panel's surface temperature for normal operation.



A REVOLUTION IN OUTDOOR DISPLAY SOLUTIONS

The Samsung 460DRn-A large format display (LFD) delivers a display solution unlike any other. This highly visible outdoor display is extremely reliable and is multifunctional to meet the needs of almost any requirement or situation.



KEY FEATURES

• All-in-one solution

A key benefit of the Samsung 460DRn-A is that it's as easy to use as it is to set up. This all-in-one outdoor display solution provides you with the convenience of built-in waterproof speakers and a fully-integrated PC. Simply wheel the display into position and plug it in—that's it!

• Greater visibility

High brightness and high contrast make Samsung 460DRn-A the natural choice for outdoor venues. The specially-designed LCD panel delivers increased readability and clarity in almost any lighting situation—indoor or out. What's more, the 460DRn-A produces images that are 3 times brighter than standard TVs or monitors.

• All Weatherproof housing

An important feature of any outdoor display unit is that it must be able to withstand the elements. The stylishly designed housing for the Samsung 460DRn-A is completely waterproof and defends against smaller elements such as dust and insects. And by protecting itself against moisture, the display is guaranteed to avoid any corrosion like other standard displays.

• Enhanced networking infrastructure

Transform your outdoor display into a multimedia hub with the Samsung 460DRn-A's enhanced networking capabilities. To start, the 460DRn-A is compatible with three telecommunication modules such as wired LAN, WiFi and Bluetooth. The 460DRn-A is also capable of transferring content through devices such as a Bluetooth headset or an MP3 player which makes managing various marketing campaigns more efficient.

• Optional touch-screen

Providing your customers with an easy and convenient way to access information is critical to the effectiveness of your display. That's why the Samsung 460DRn-A has an optional touch screen that your customers can use to find the information they need. Plus, it's flexible enough to serve up a wide range of content such as train schedules and event information.

• Protection against vandalism

Protecting your outdoor display units against vandalism is nearly an impossible task. But the Samsung 460DRn-A can help defend your displays against potential vandals. The display is built with 5mm-thick tempered glass to protect against shattering. The built-in shock sensor can detect disturbances while the surveillance camera will record any activity around the front of the display.

