

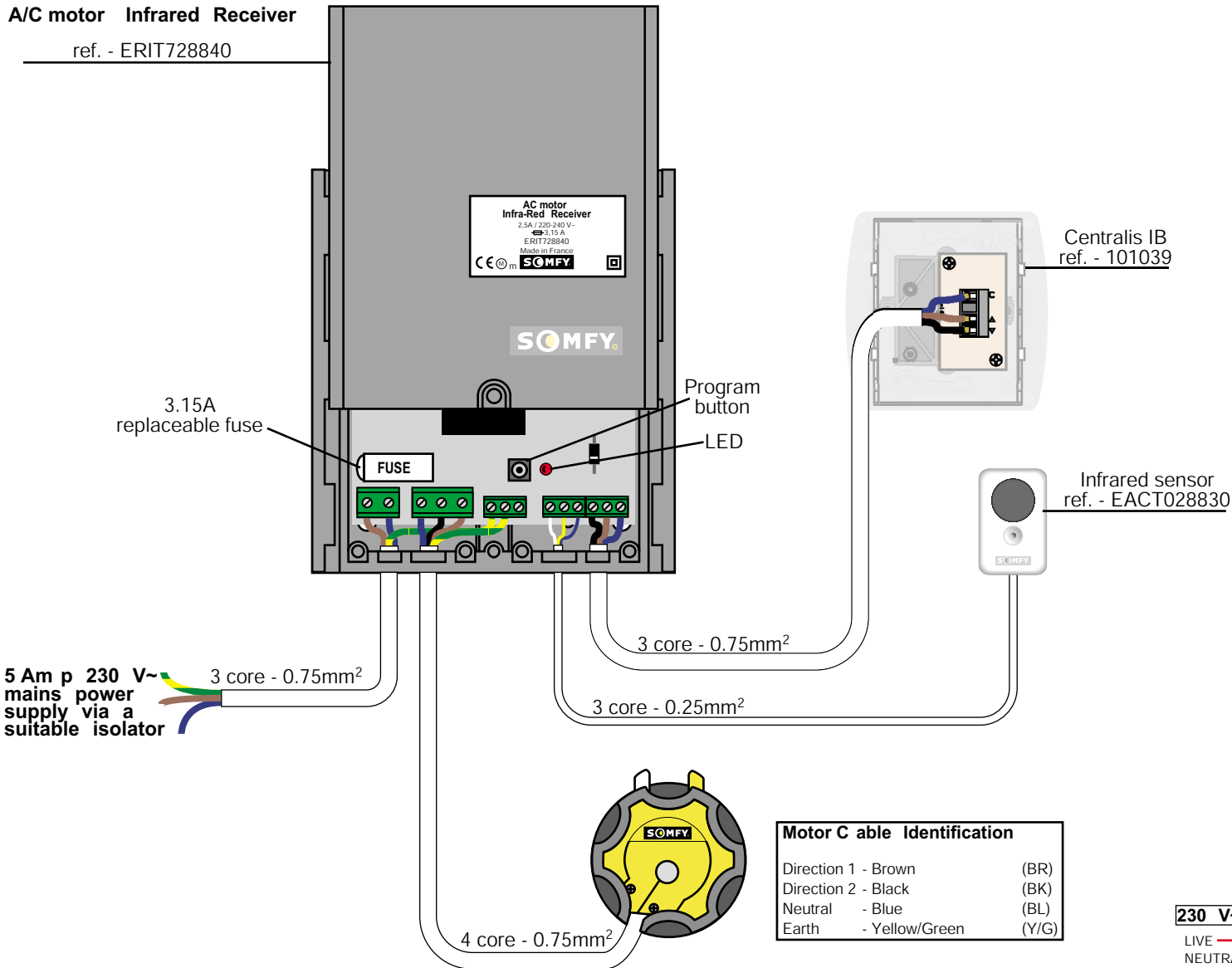
A T T E N T I O N !

Disconnect the main supply before carrying out any work.
Use flexible cables.
Do not forget to connect the earth wires.
To change the motor direction, swap the brown & black wires from the motor.

M A L F U N C T I O N S

Check the battery of the transmitter.
Check the wiring of the receiver & the IR sensor.
Check the fuse of the receiver.
Check the programming.
Check the positioning/range of the sensor.

SCHEMATIC DIAGRAM



WIRING DIAGRAM

