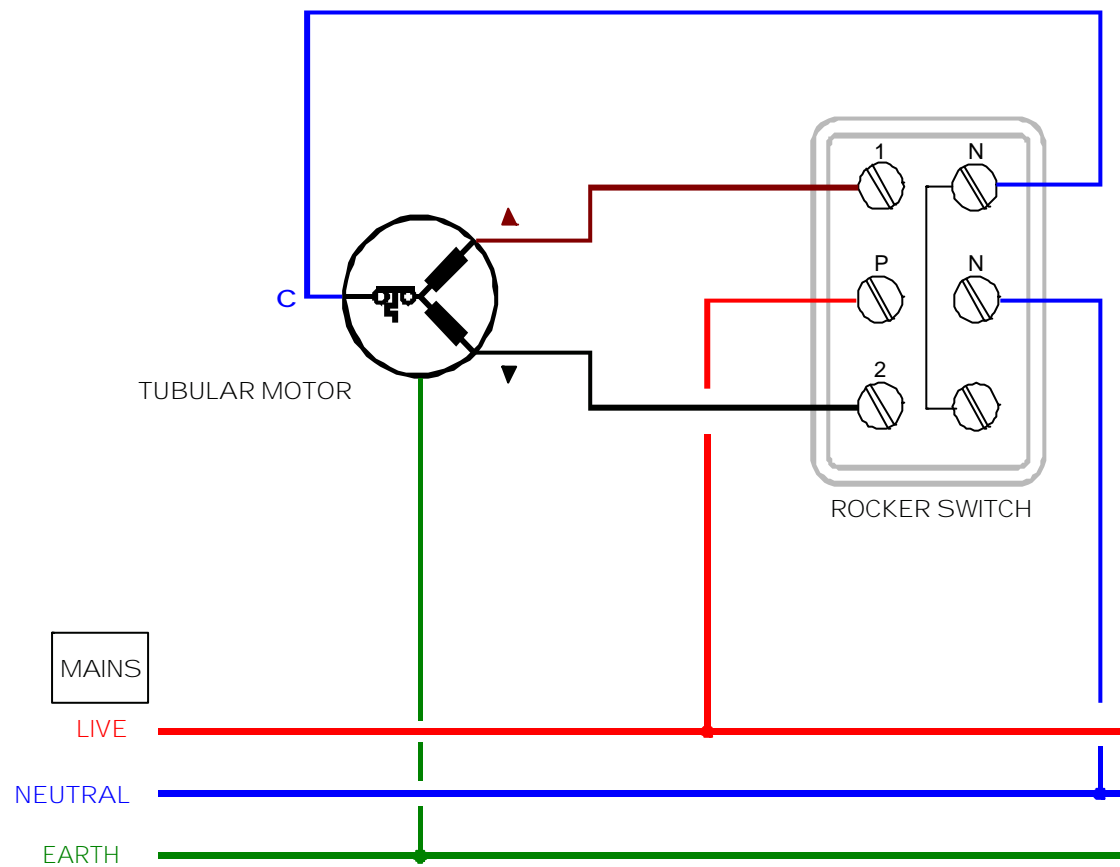
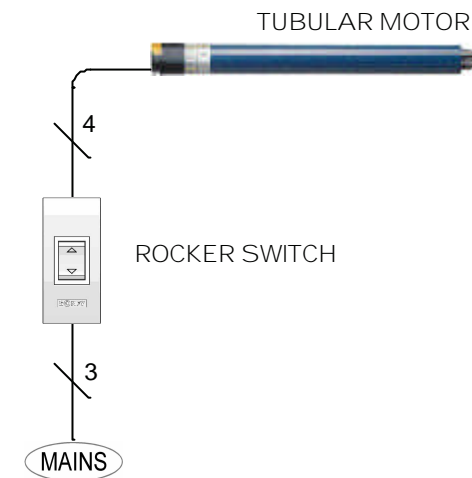


WIRING DIAGRAM



SCHEMATIC DIAGRAM



MOTOR CABLE IDENTIFICATION	
DIRECTION 1 BROWN	DIRECTION 2 BLACK
NEUTRAL BLUE	EARTH GREEN/YELLOW



DATE: 06-12-99 | DRAWN BY: P A | DRAWING REF:ROCKER  
 DESCRIPTION: MOTOR CONTROL VIA ROCKER SWITCH

