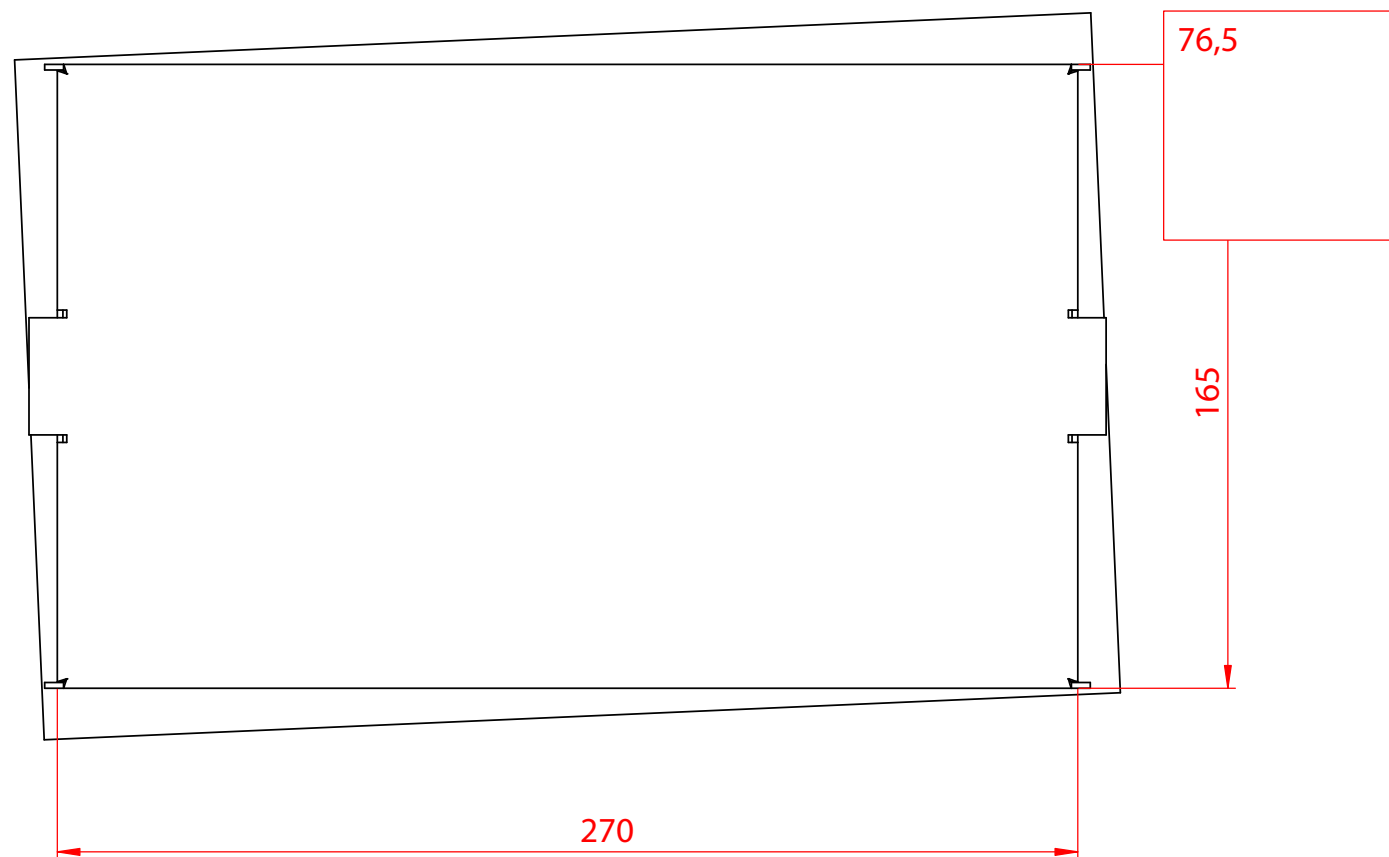
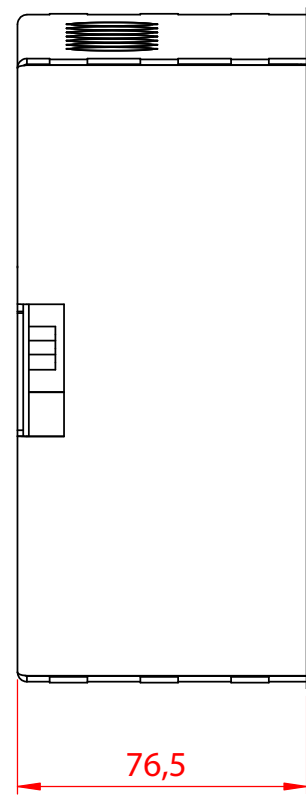
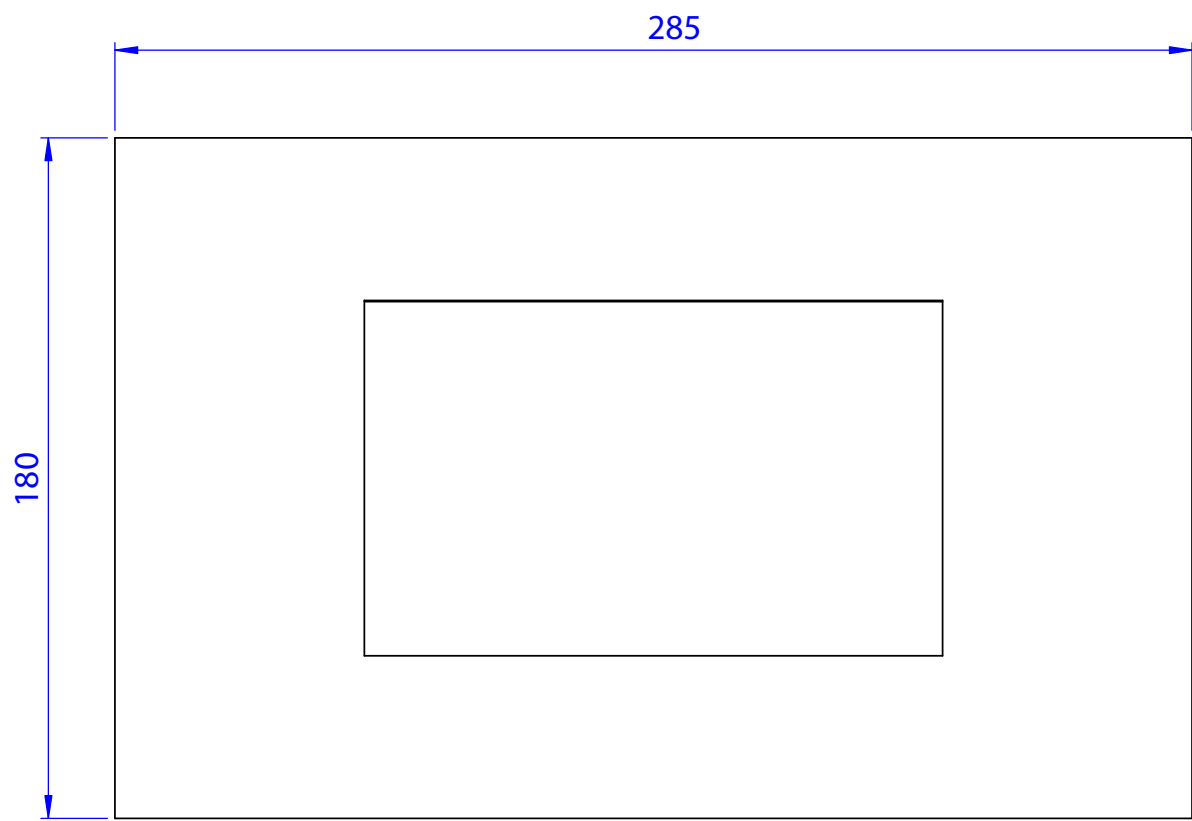


ITEM NO.	QTY.	PART NO.	MATERIAL	DIKTE	FINISH
1	1	DZ04-02a (inmets-doo-assem)			
	1	DZ04-03a (inmets-doo)		1.5	
	1	DZ04-04a (adjuster)		1.5	
	4	DZUS-2001			
2	1	DZ04-05a (module-assem)			
	1	DZ04-07a (inox-front)		1.5	
	1	final assembly			
	1	DZ04-06a (frame)		1.5	
	1	RPS-60		1.5	
	1	DZ04-8a (AC-cover)		1.5	
	4	din_931_m5x40-5_6			
	4	din_934_m5-10			

Revision:	Description:	By:	Date:	Check:
Comment:				
Material:	-	Project:		
Finish:	-	Title:		
Tolerancy:	+/- 0.2 mm	File:	DZ04-01a (inbouw-samenstelling)	
Scale:	1:2.5	Customer Ref.:	Customer:	-
NO BURRS OR SHARP EDGES	- Pieces.	Date:	27/11/2008	Drawn by:
				Size: A3
dzine		Dimension= mm		
dZine n.v. - 't Hoge 49, 8500 Kortrijk (Belgium) - [t] +32 56 24 90 90 - [f] +32 56 24 90 99 - [e] info@dzine.be		iso		



Revision:	Description:	By:	Date:	Check:
Comment:				
Material:	-	Project:		
Finish:	-	Title:		
Tolerancy:	+/- 0.2 mm	File:	DZ04-01a (inbouw-samenstelling)	
Scale:	1:2	Customer Ref.:	Customer:	-
NO BURRS OR SHARP EDGES	- Pieces.	Date:	27/11/2008	Drawn by:
				Size: A3

dzine

dZine n.v. - 't Hoge 49, 8500 Kortrijk (Belgium) - [t] +32 56 24 90 90 - [f] +32 56 24 90 99 - [e] info@dzine.be

Dimension= mm
iso

SHEET 2 OF 2